

# MS-8819



## Dimensions / WxDxH

67 1/2"x29 7/8"x18 1/8"

### Installation Manual

- Carefully read the instructions before starting the installation.
- This bathtub should be installed by an experienced plumber.
- Drain trap is not supplied. Connect to an existing drain pipe.

# Caution

You will need at least two people to install this product properly. In order to reduce the risks of personal injuries, do not support or lift the bathtub by the rim. Provide adequate support under the feet.

The distributor is not responsible for any damage to the unit or personal property caused by improper installation. If you disregard instructional warnings, you will void your warranty and possibly deal with water damage.

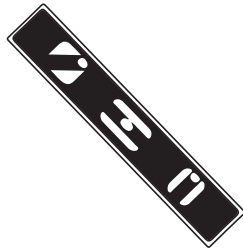
- Unpack and inspect the bathtub for damage. Return the bathtub to the carton until you are ready to install.
- Install the bathtub on an adequately supported, level floor.
- Before installation, ensure proper access to the final plumbing connections.

## TOOLS REQUIRED

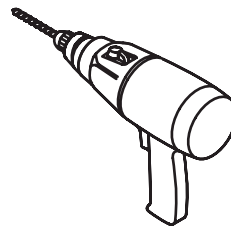
---



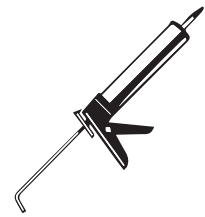
Pencil



Level



Drill



Silicone



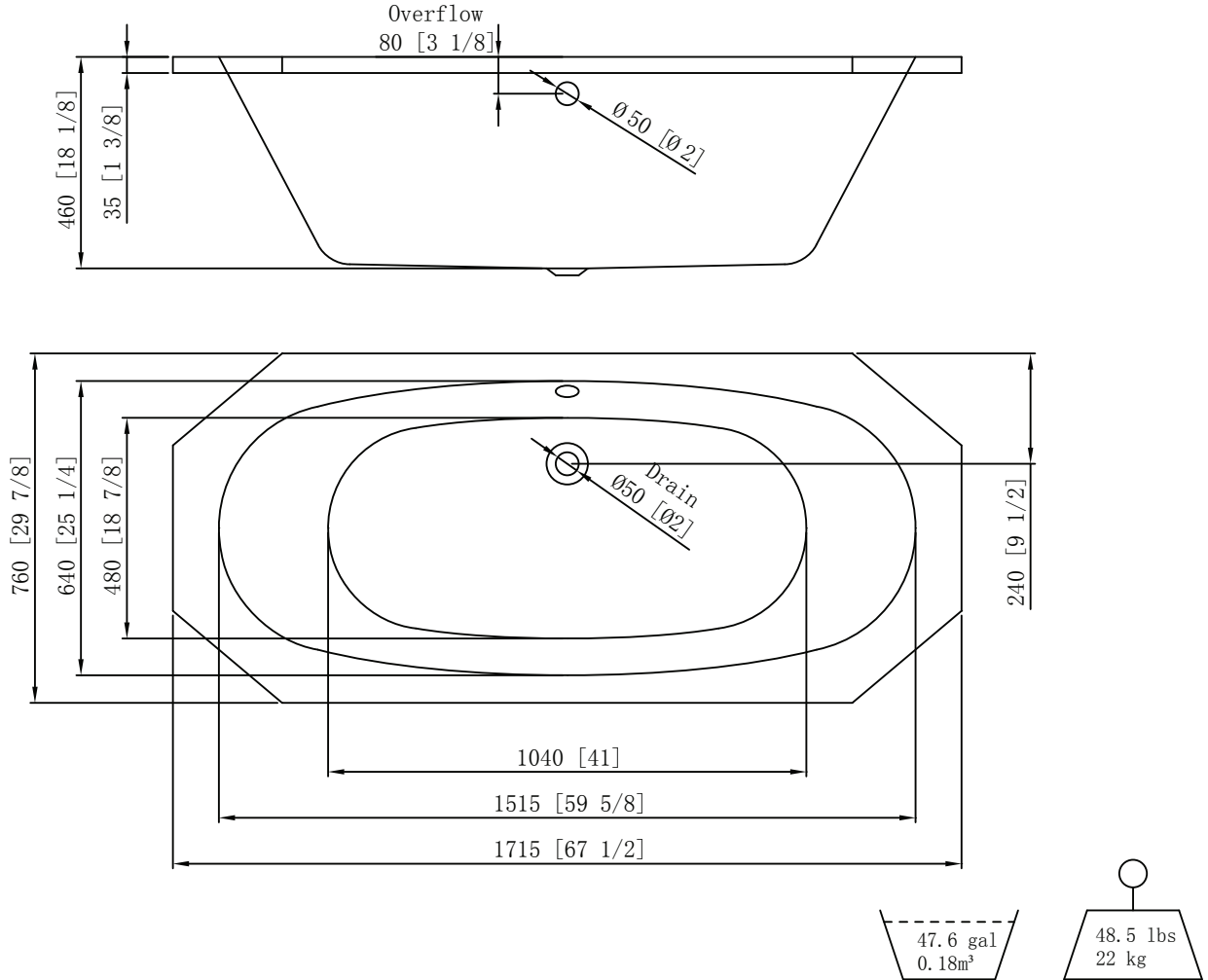
Measuring Tape



Adjustable key

# INSTALLATION

Measures: inch [millimeter]



1. Remove the bathtub from its carton and place it on a throw rug or other protective floor covering material to prevent damage to the bath or floor.
2. Position a clean drop cloth or similar material in the bottom of the bathtub. Be careful not to scratch the surface of the bathtub.
3. Carefully put the bathtub on the prepared platform, make sure the tub remain level.  
(You will need two people to manage this task)
4. Connect the trap to the drain.
5. Connect faucet.
6. Open the hot and cold water supplies and check all connections for leaks.
7. Fill the bathtub to the overflow and check for leaks.
8. Make sure the bath and platform is clingy, glue it with silicone or cement.